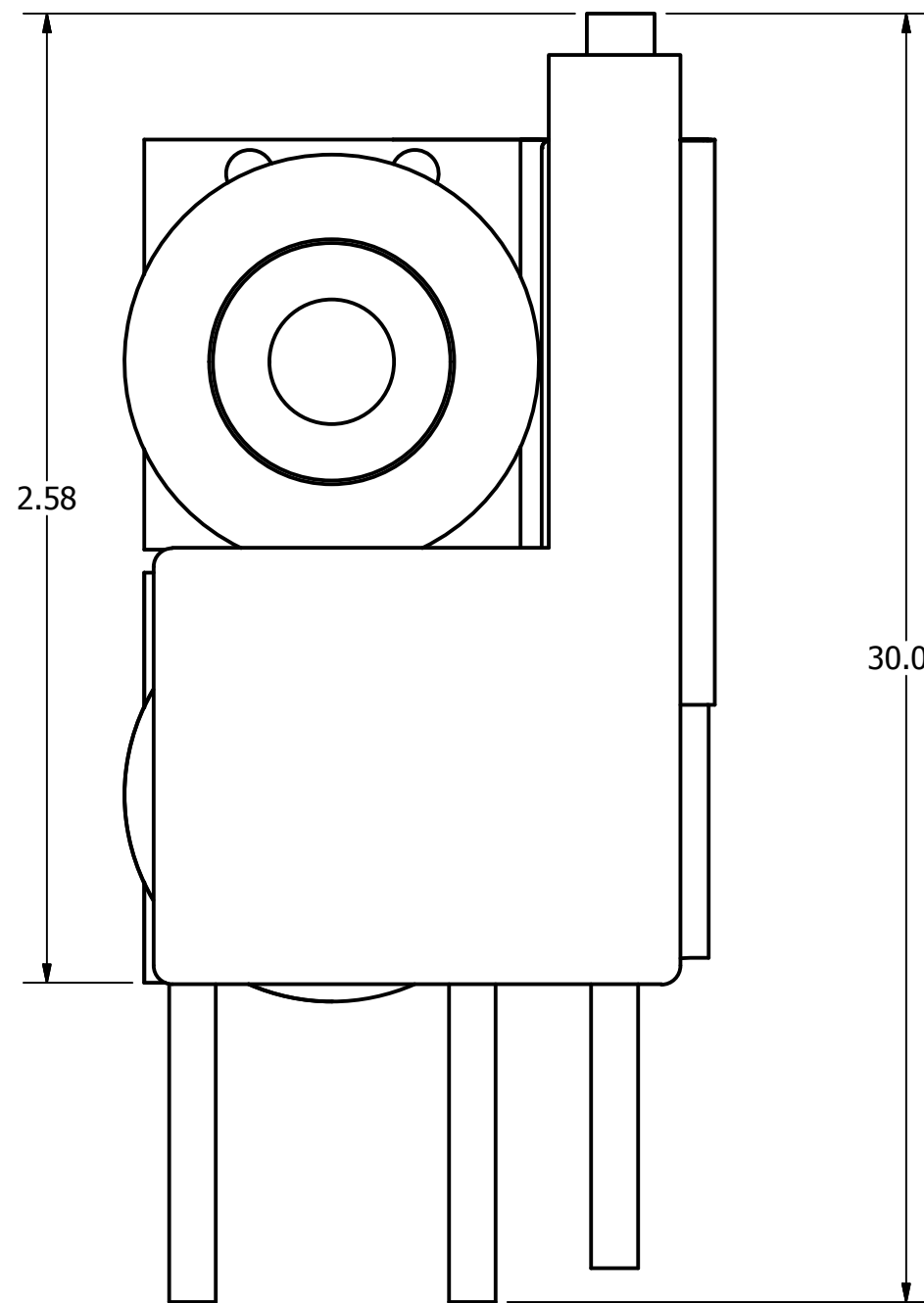


MicroDot Electrical Connectors



DRAWN Engineering	6/5/2013	Fil-Tech Inc.	
CHECKED			
QA		TITLE	
MFG		QI6000	
APPROVED		Sensor Dual Shutter	
		1/8" Air/Water lines	
		SIZE	DWG NO
		C	QI6000
		SCALE	REV
			SHEET 1 OF 1