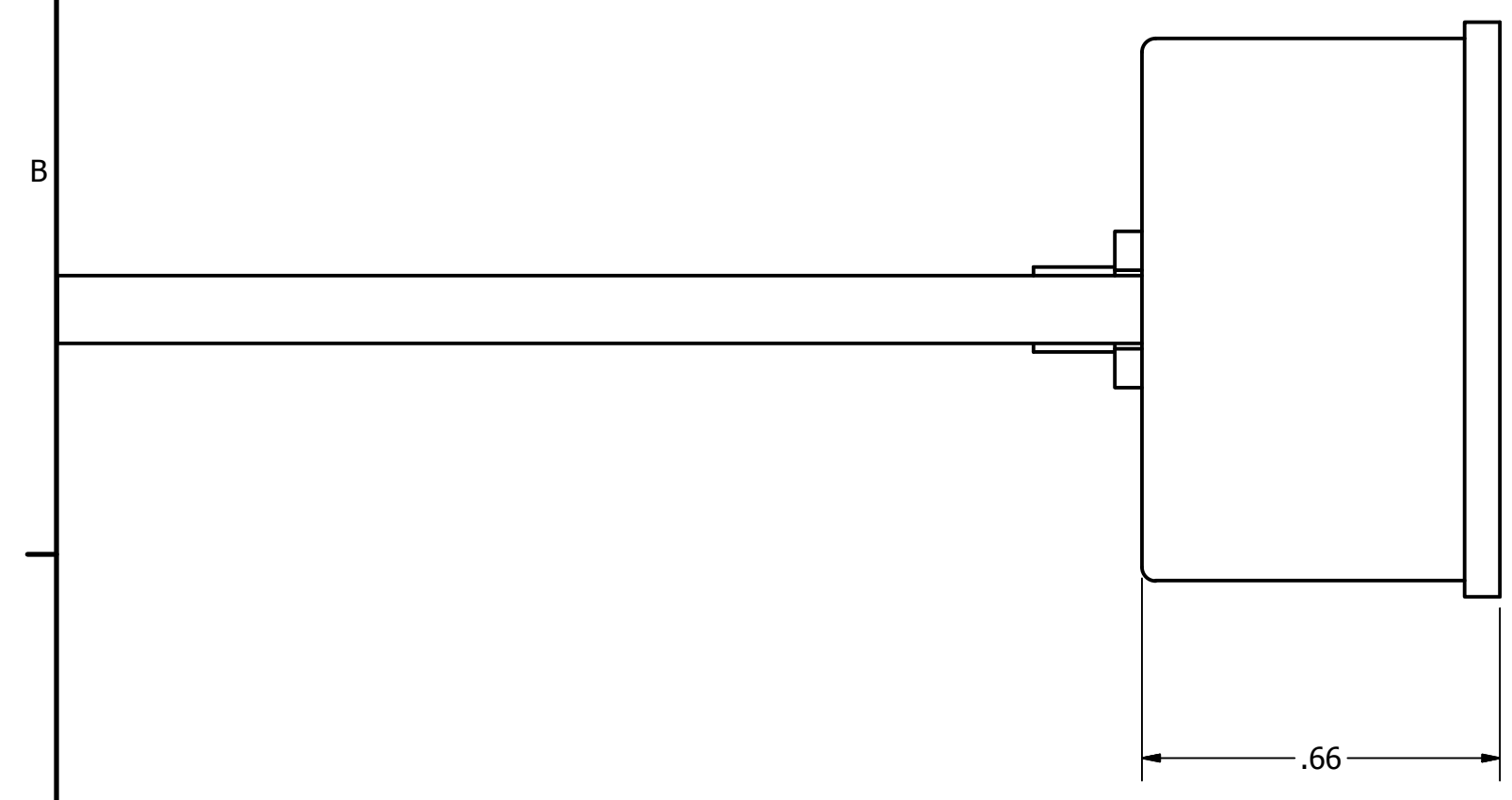
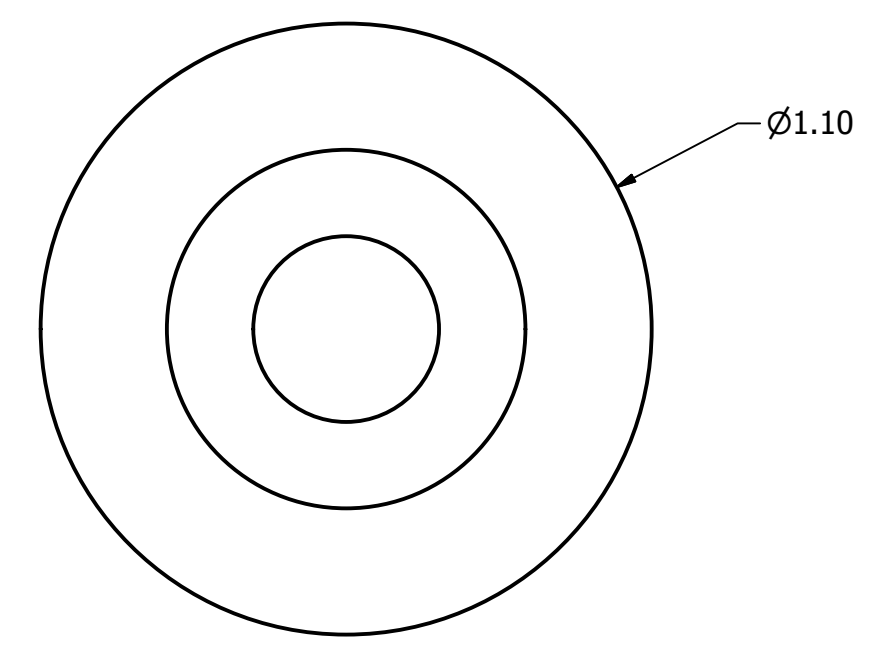


MicroDot Electrical Connection

30.00



.66



Ø1.10

DRAWN Engineering	9/3/2014	Fil-Tech, Inc.		
CHECKED		TITLE QI3500		
QA		Sensor Head Single		
MFG		Round Perpendicular		
APPROVED		1/8" Waterlines		
		SIZE C	DWG NO QI3500	REV
		SCALE	SHEET 1 OF 1	