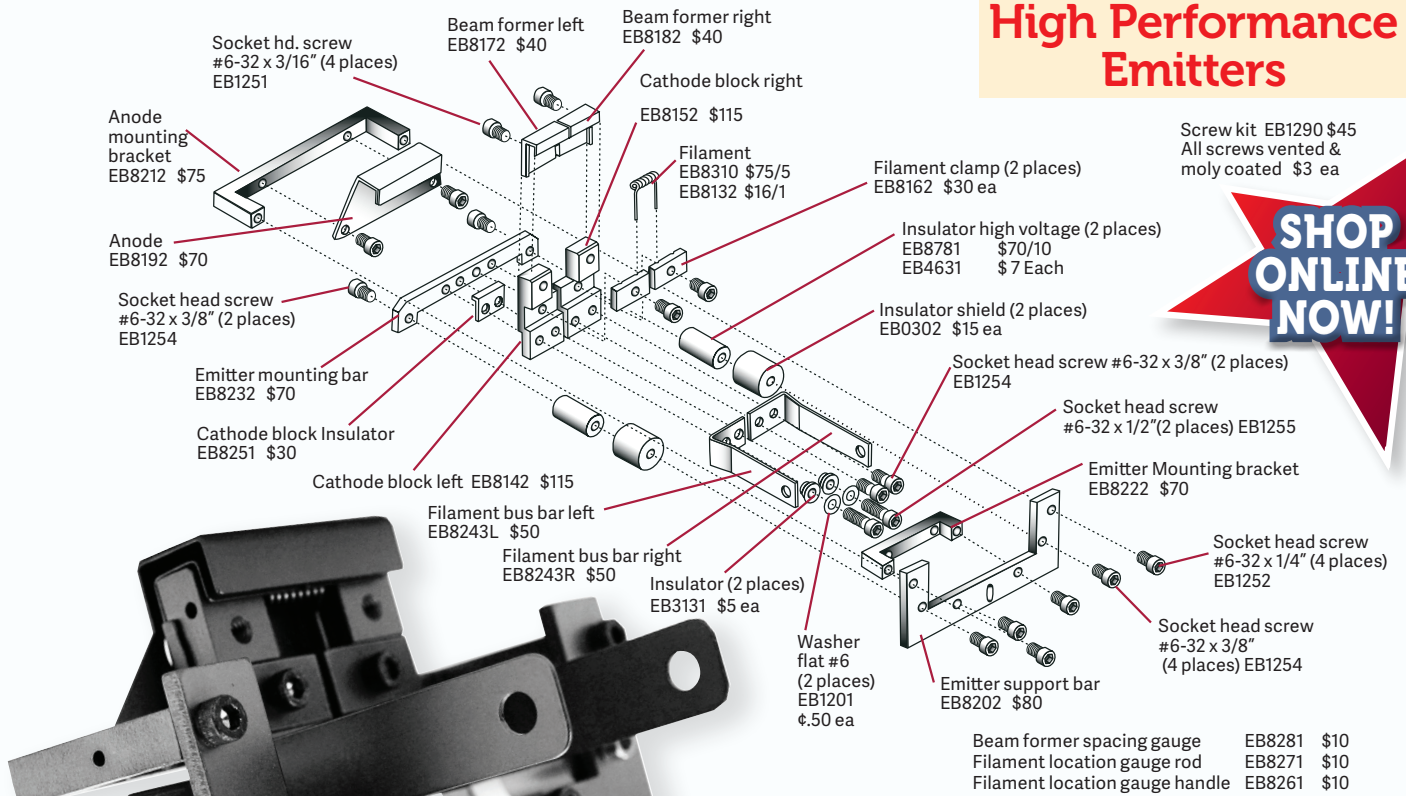


**High Performance Emitters**



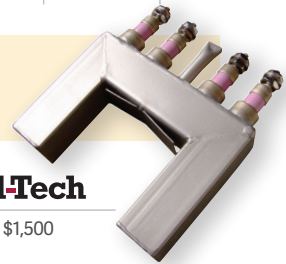
**SHOP ONLINE NOW!**

**High-Performance Emitter Parts**

	TEMESCAL	Fil-Tech	
Anode	0916-8192-0	EB8192	\$75
Anode Mounting Bracket	0916-8212-0	EB8212	75
Beam Former, left	0916-8172-0	EB8172	40
Beam Former, Right	0916-8182-0	EB8182	40
Beam Former Spacing Gauge	0916-8281-0	EB8281	10
Cathode Block Insulator	0916-8251-0	EB8251	30
Cathode Block, Left	0916-8142-0	EB8142	115
Cathode Block, Right	0916-8152-0	EB8152	115
Emitter Mounting Bar	0916-8232-0	EB8232	70
Emitter Mounting Bracket	0916-8222-0	EB8222	70
Emitter Support Bar	0916-8202-0	EB8202	80
Filament Bus Bar, Left	0916-8243-1	EB8243L	50
Filament Bus Bar, Right	0916-8243-2	EB8243R	50
Filament Clamp	0916-8162-0	EB8162	30
Emitter Assembly	0916-8294-0	EB8294	825

**Electromagnetic Coil**

TEMESCAL	Fil-Tech
0312-6923-0 \$1,690	EB6923 \$1,500



Filaments		Fil-Tech		
TEMESCAL	SuperSource®	0317-6871-0	EB6871	\$74
		0303-9351-0	EB9351	15/1
		0515-5441-0	EB5441	74
	High Performance®	0916-8310-0	EB8310	75
		0916-8132-0	EB8132	16/1
TELEMARK	Multi Pocket	273-0001-1	EB0001	74
THERMIONICS	Multi Pocket	273-0002-1	EB0002	74
		A112153	EB6871	74
SATISLOH	SuperSource	A7500823P-122M	EB6871	74
		A7500823P-005M	EB6871-1	80
	S Type	A7500336J-003M	EB8483-5	290/20
SLOAN	270 Gun	126-710	EB7910	150
LEYBOLD	Hooked Ends	10-094-226	EB4226	190/10
		84830-005	EB8483-5	290/20
JEOL	Half moon	812180313	EB0313	65

All filaments 5 per box except otherwise indicated.

Telemark parts can be ordered using Temescal part numbers.

Do you have a **MDC Vacuum Products e-vap®** source with a HF emitter assembly?  
Call us for replacement emitter assemblies and component parts